



## GENUINE PARTS

### INSTALLATION INSTRUCTIONS

1. **DESCRIPTION:** Nose Mask
2. **APPLICATION:** 370Z
3. **PART NUMBER:** 999N1 ZV000

4. **KIT CONTENTS:**

Item	QTY	Description
A	1	Nose Mask, Main Piece
B	1	Nose Mask, Hood Piece
C	4	Well Nut
D	4	Washer
E	4	Snap Head Index Screw
F	1	Installation Instructions <a href="#">Replacement Template</a>

5. **TOOLS REQUIRED:**

- Scissors
- Phillips Screwdriver

6. **PRE-INSTALLATION CAUTIONS/NOTES:**

- The area to be covered by the mask must be free of dirt. The flannel surface of the nose mask must be especially clean.
- Both the vehicle and the mask must be completely dry. If moisture is present under the mask and is allowed to dry, it may cause the paint to cloud. If mask gets wet, remove and allow to dry completely.
- Any repainted surface in contact with mask must be completely cured.
- DO NOT pull the mask from any of the openings when installing the mask. This may result in DAMAGE to your mask.
- If the nose mask should flap due to high speed or wind conditions, stop car and adjust or remove mask.

**CARE OF NOSE MASK:**

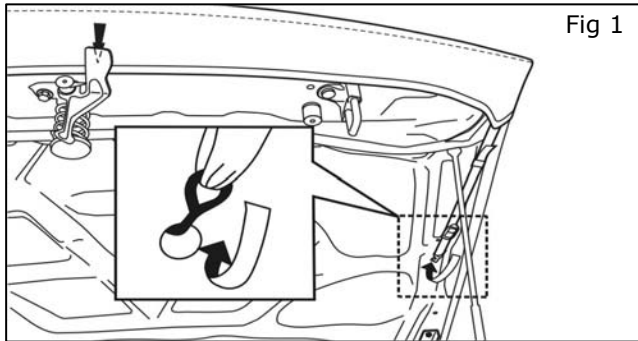
- To clean the vinyl and flannel backing, use a cleaner such as "409" or "Fantastic".
- The vinyl surface may be cleaned by simply spraying the cleaner onto the vinyl and wiping off with a cloth or sponge.
- To clean the flannel backing, liberally spray the cleaner on the area to be cleaned. If heavily soiled, use a cloth or sponge with the cleaner and rub the soiled area gently. Repeat if necessary. Rinse completely with clear water when finished. Hang to dry, but not in direct sunlight. Before installation, ensure both the vehicle and the nose mask are completely dry. If there is moisture under the nose mask and it is not allowed to dry, paint clouding can occur.

### CAUTION

- Attach all elastics with hooks and clips carefully and securely. Accidental release may cause injury.

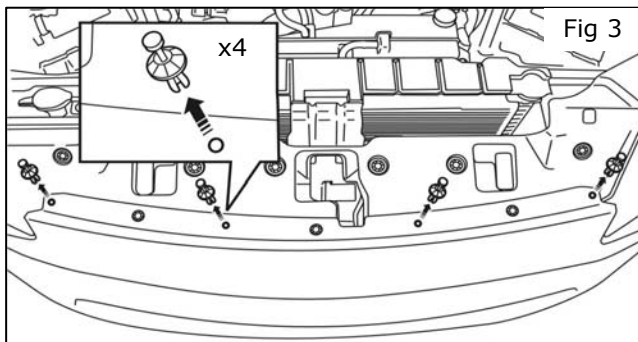
## INSTALLATION INSTRUCTIONS - Nose Mask

### 7. INSTALLATION PROCEDURE:

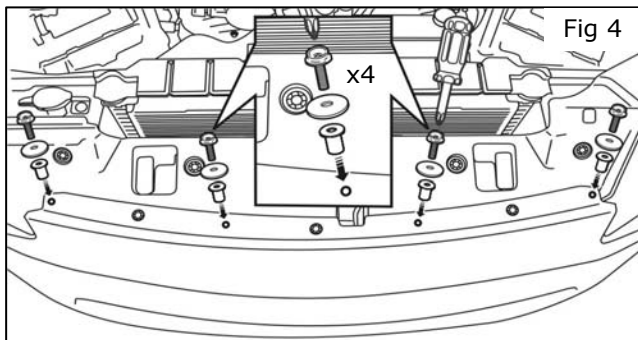


- 1) Install hood piece of nose mask.
  - a) Install underside edge below hood release latch .
  - b) Attach hook with long strap to hole on underside of hood and gently tighten strap to keep hook in hole.
  - c) Perform step b) on other side.
  - d) Pull mask snug to hood, tighten straps and secure loose ends in elastic loops.

- 2) Remove front license plate and license plate bracket (if applicable).
  - a) Remove 2 license plate screws.
  - b) Remove 2 license plate bracket screws.

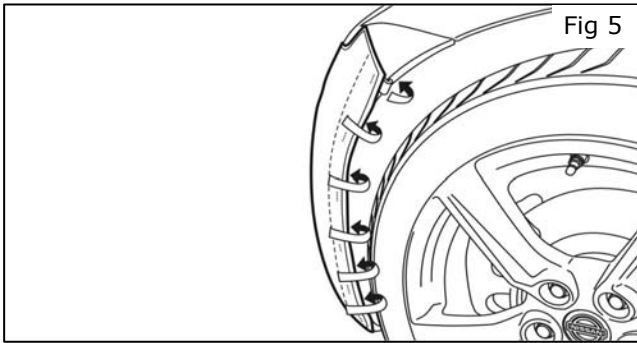


- 3) Remove four existing plastic fasteners.
  - a) Remove four plastic fasteners holding bumper to forward radiator support in locations shown.

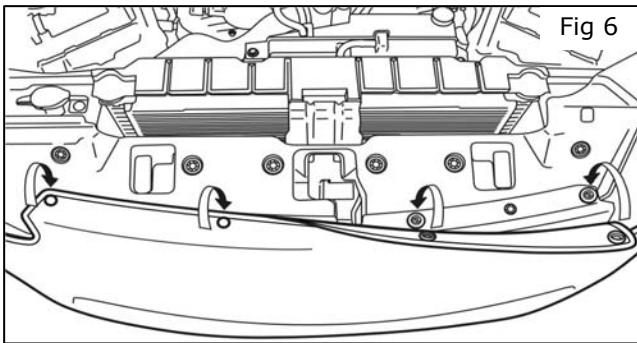


- 4) Install snap hardware.
  - a) Press four well nuts into empty holes.
  - b) Using a phillips screwdriver, install washers and snap head index screws into all well nuts. Tighten till snug.

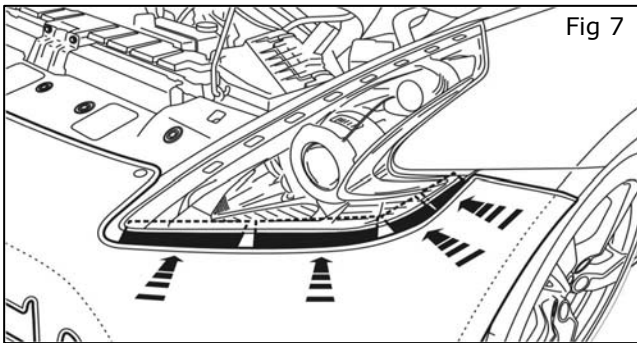
## INSTALLATION INSTRUCTIONS - Nose Mask



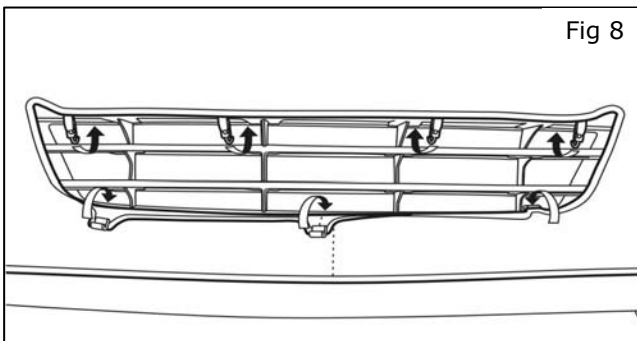
- 5) Secure mask in wheel well areas.
  - a) Lay mask over over front of vehicle.
  - b) Attach 6 clips to inside edge of fascia.
  - c) Perform step b) on other side of vehicle.



- 6) Secure upper center section of mask.
  - a) Press snaps onto four snap head screws.

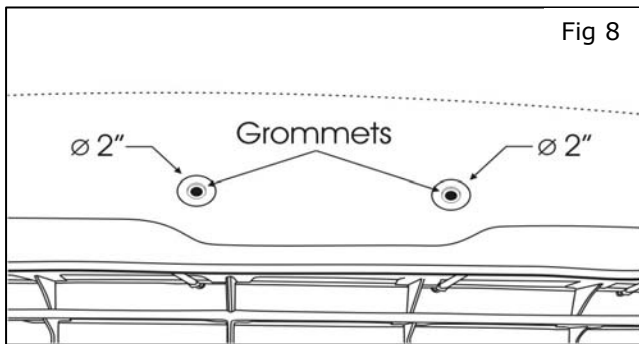


- 7) Secure mask below headlights.
  - a) Insert 4 pads into gap under headlight.
  - b) Perform step a) on other side of vehicle.



- 8) Secure mask at lower fascia opening.
  - a) Attach 3 clips to inside back edge at bottom of fascia opening.
  - b) Attach 4 hooks to inside back edge at top of fascia opening.

## INSTALLATION INSTRUCTIONS - Nose Mask



- 9) Reinstall License plate and license plate bracket (if applicable).
  - a) Poke holes through mask into center license plate bracket grommets.
  - b) Cut clearance holes (1" - 2") so that license plate bracket pads will rest on fascia.
  - c) Reinstall license plate bracket and plate.