

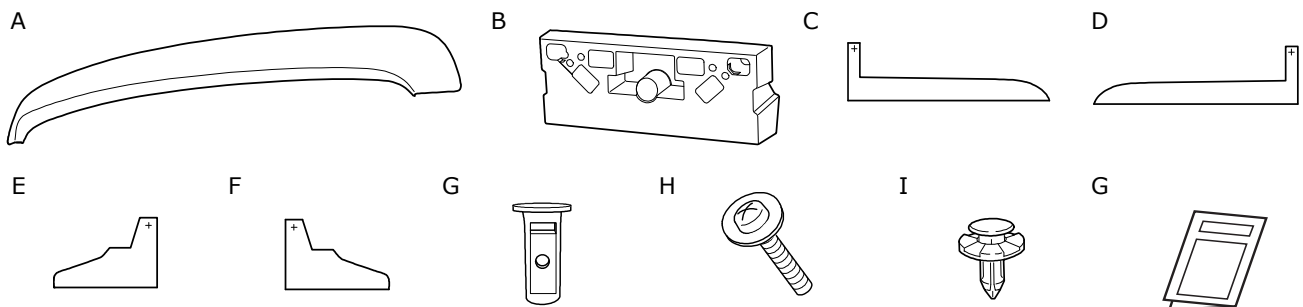


nismo

INSTALLATION INSTRUCTIONS

- 1. DESCRIPTION: Extended Nose Piece**
- 2. APPLICATION: Z**
- 3. PART NUMBER: F2070-1EAxx (xx Designates color)**
- 4. KIT CONTENTS:**

Item	Qty.	Description	Part Number
A	1	Extended Nose Piece	-
B	1	License Plate Bracket	-
C	1	Paper Template - A, LH	-
D	1	Paper Template - A, RH	-
E	1	Paper Template - B, LH	-
F	1	Paper Template - B, RH	-
G	2	Grommet	-
H	2	Screw	-
I	2	Clip	-
J	1	Installation Instructions	-



- 5. TOOLS REQUIRED:**
 - 50/50 alcohol/water solution
 - Drill
 - Center punch
 - Phillips head screwdriver
 - Clean, lint-free wiping cloth
 - 3 mm (1/8"), 6.3 mm (1/4"), 8 mm (5/16"), 9 mm (11/32") and 10 mm (25/64") Drill bit
 - Masking tape

6. PRE-INSTALLATION CAUTIONS/NOTES:

⚠ CAUTION

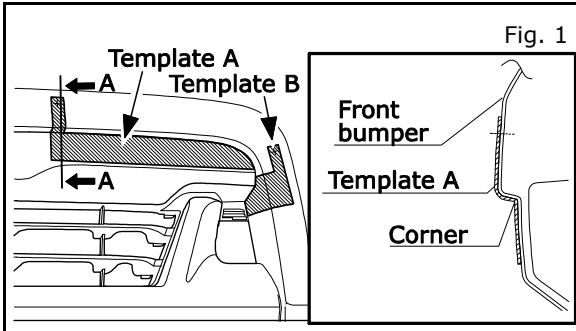
- Install the Extended Nose Piece when the ambient temperature is above 60°F (15°C).
- Do not wash or expose the vehicle to a wet environment for 24 hours after installing the Extended Nose Piece.

NOTE

- These instructions are for the left side of the vehicle; the same procedure applies to the right side.

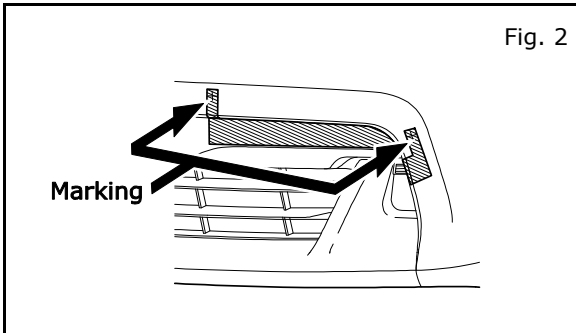
INSTALLATION INSTRUCTIONS - Extended Nose Piece

7. INSTALLATION PROCEDURE:

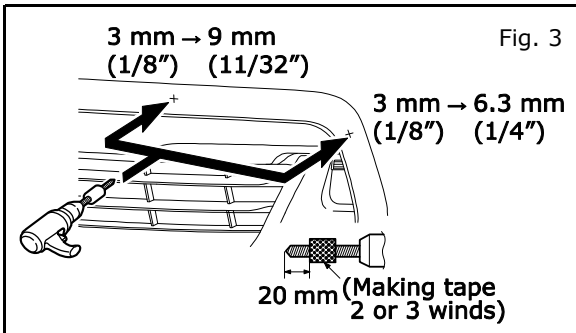


1. Installation preparation

- a) Align template A to the front bumper and apply masking tape to hold the template in place. See Fig. 1.
- b) Align template B to the front bumper and apply masking tape to hold the template in place. See Fig. 1.

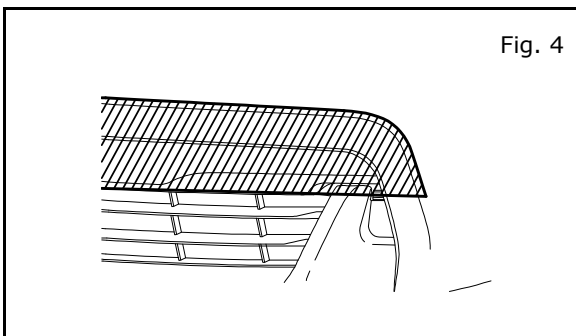


- c) Mark the hole position (+) with center punch. See Fig. 2.
- d) Remove masking tape and templates A and B.

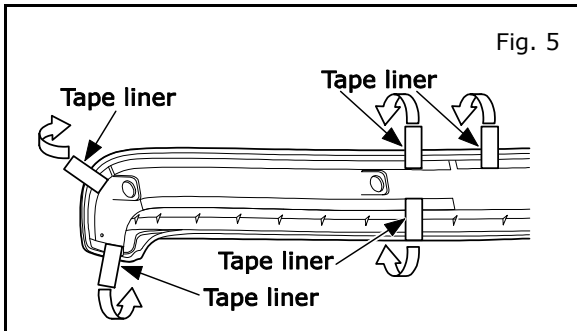


2. Hole preparation

- a) Wrap masking tape around 3 mm (1/8"), 6.3 mm (1/4") and 9 mm (11/32") drill bits, approximately 10 mm from the tip.
- b) Drill 3 mm (1/8") → 6.3 mm (1/4") holes at the marked locations on the front bumper. See Fig. 3.
- c) Drill 3 mm (1/8") → 9 mm (11/32") holes at the marked locations on the front bumper. See Fig. 3.
- d) Using a clean, lint free cloth and 50/50 alcohol/water solution, wipe any dirt and oil from the mounting surface. Let area dry thoroughly. See Fig. 4.

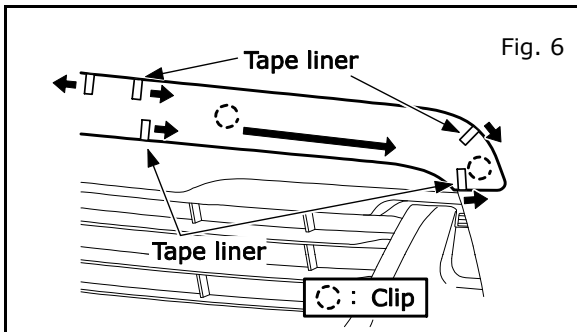


INSTALLATION INSTRUCTIONS - Extended Nose Piece



3. Extended Nose Piece installation

- a) Fold tape liner pull tabs onto the extended nose piece surface and apply masking tape to ensure that the pull tabs are accessible. See Fig. 5.



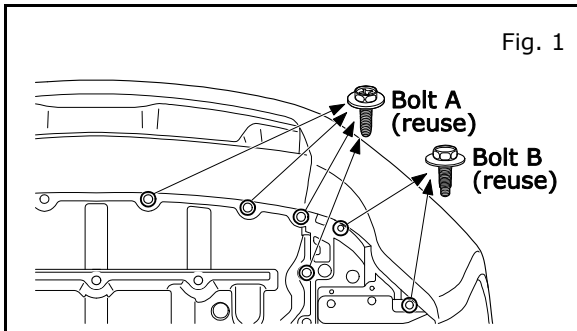
- b) Align the extended nose piece clips with the drilled holes in the front bumper and apply pressure until the clips are inserted in the holes.
- c) Starting at the center and moving outward, remove the double-sided tape liner and apply 15 lbs. of pressure to the extended nose piece to ensure that the extended nose piece is attached.

NOTE:

IF IT'S NECESSARY TO INSTALL THE LICENSE PLATE BRACKET PLEASE FOLLOW THE INSTALLATION INSTRUCTIONS FROM THE NEXT SECTION UNTIL THE LAST PAGE. IF IT'S NOT NECESSARY TO INSTALL THE LICENSE PLATE BRACKET PLEASE STOP HERE.

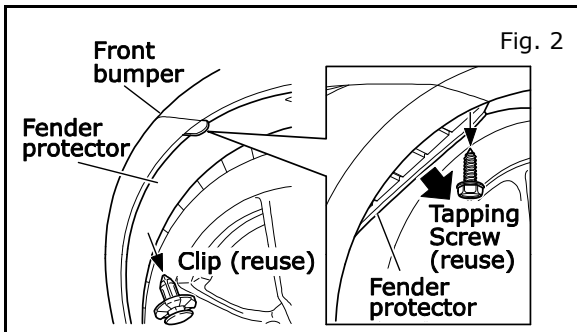
INSTALLATION INSTRUCTIONS - Extended Nose Piece

7A. INSTALLATION PROCEDURE FOR LICENSE PLATE BLACKET:

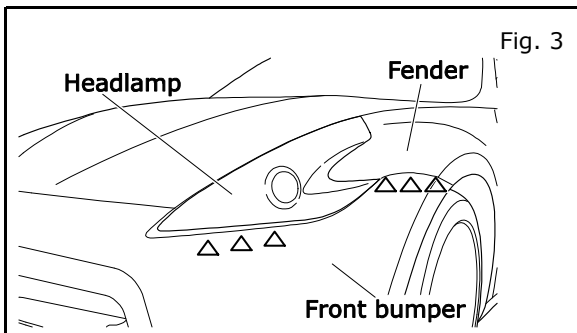


1. Front bumper cover removal

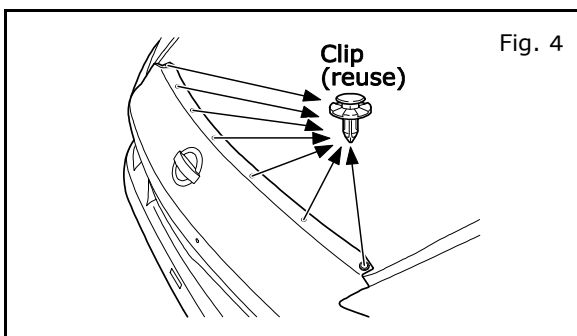
- a) Remove bolts A (reuse) and B (reuse) from below the vehicle.
See Fig. 1. (bolt A: 4 on each side, bolt B: 2 on each side)



- b) Remove the clip (reuse) that attach the fender protector to the vehicle. See Fig. 2. (1 on each side)
- c) Remove the tapping screw (reuse) that secure the fender protector to the fender. See Fig. 2. (1 on each side)

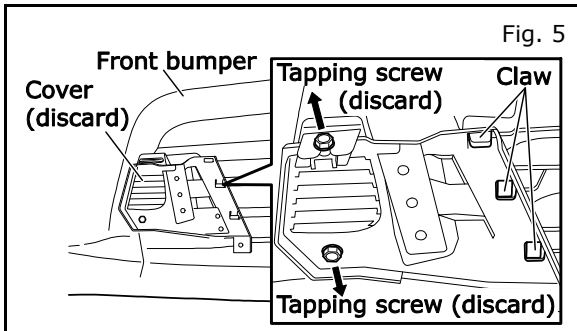


- d) Pull outward on the front bumper to detach the claws (Δ), in the fender and headlamp area, that attach the front bumper to the vehicle. See Fig. 3.

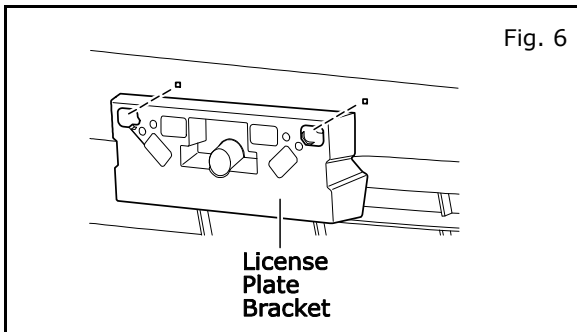


- e) Remove the clips(reuse) that attach the front bumper upper portion to the vehicle. (qty. 7)
See Fig. 4.
- f) Remove the front bumper from the vehicle.

INSTALLATION INSTRUCTIONS - Extended Nose Piece

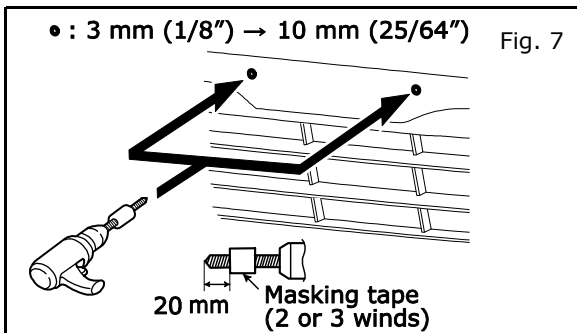


- g) Remove the front bumper cover tapping screws (discard). See Fig. 5. (front bumper tapping screw: 2 each side)
- h) Remove the front bumper cover (discard) from the front bumper by detaching the claws that attach the front bumper cover(discard) to the front bumper. See Fig. 5. (3 on each side)
- i) Reinstall all removed parts except the front bumper cover in reverse order.

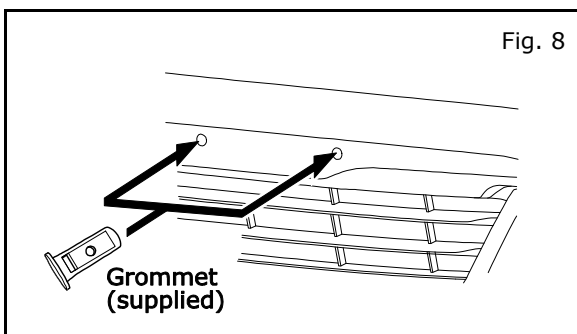


2. License plate bracket installation

- a) Temporarily fit the license plate bracket while aligning the holes in the license plate bracket with the dimple markings on the front bumper. See Fig. 6.
- b) Remove the license plate bracket.

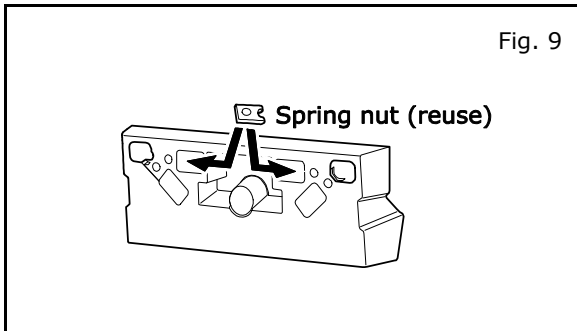


- c) Wrap masking tape around 3 mm (1/8") , 8 mm (5/16") and 10 mm (25/64") drill bits, approximately 20 mm from the tip.
- d) Drill 3 mm (1/8") → 10 mm (25/64") holes at the dimple marked locations on the front bumper. See Fig. 7.



- e) Insert grommets (supplied) into the hole on the front bumper. See Fig. 8.

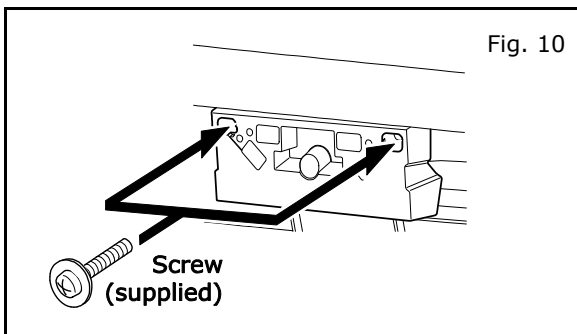
INSTALLATION INSTRUCTIONS - Extended Nose Piece



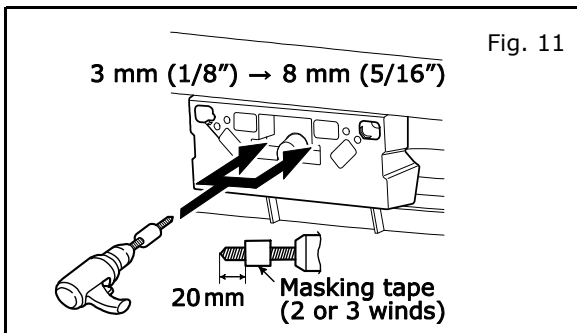
- f) Find the standard vehicle license plate bracket kit in the vehicle and get the two spring nuts(reuse) included in the standard vehicle license plate bracket kit.
- g) Insert the spring nuts(reuse) into the license plate bracket before placing the license plate bracket on the front bumper. See Fig. 9.

NOTE:

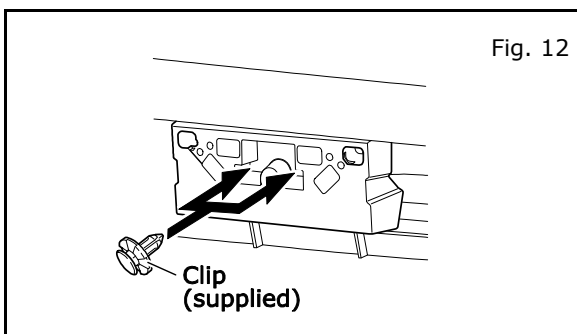
INSTALL SPRING NUTS(REUSE) WITH FLAT EDGE ON OUTSIDE OF THE LICENSE PLATE BRACKET.



- h) Install the license plate bracket with screws(supplied). See Fig. 10.



- i) With the license plate bracket installed, drill 8 mm (5/16") holes at the marked locations on the front bumper. See Fig. 11.



- j) Install clips(supplied). See Fig. 12.