

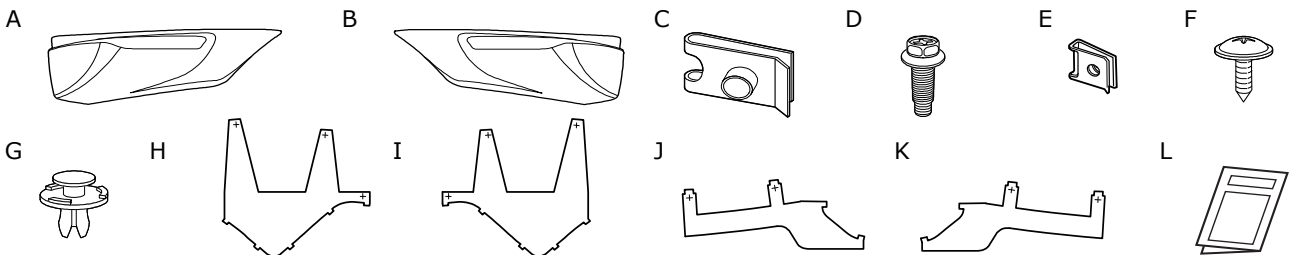


nismo

INSTALLATION INSTRUCTIONS

1. **DESCRIPTION:** Rear Under Protector
2. **APPLICATION:** Z
3. **PART NUMBER:** H5910 1EAxx (xx Designates color)
4. **KIT CONTENTS:**

| Item | Qty. | Description | Part Number |
|------|------|---------------------------|-------------|
| A | 1 | Rear Under Protector - LH | - |
| B | 1 | Rear Under Protector - RH | - |
| C | 4 | Spring Nut - M6 | - |
| D | 4 | Bolt - M6 | - |
| E | 4 | Spring Nut - M5 | - |
| F | 4 | Tapping Screw - M5 | - |
| G | 2 | Clip | - |
| H | 1 | Paper Template - A, LH | - |
| I | 1 | Paper Template - A, RH | - |
| J | 1 | Paper Template - B, LH | - |
| K | 1 | Paper Template - A, RH | - |
| L | 1 | Installation Instructions | - |



5. **TOOLS REQUIRED:**
 - 50/50 alcohol/water solution
 - Drill
 - 3 mm (1/8"), 8 mm (5/16"), and 10 mm (25/64") Drill bit
 - Clean, lint-free wiping cloth
 - Socket wrench 10 mm (25/64")
 - Masking Tape
 - Center punch
 - Stubby driver
 - Clip remover

6. **PRE-INSTALLATION CAUTIONS/NOTES:**

⚠ CAUTION

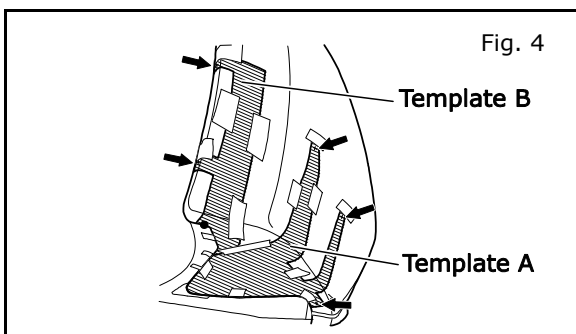
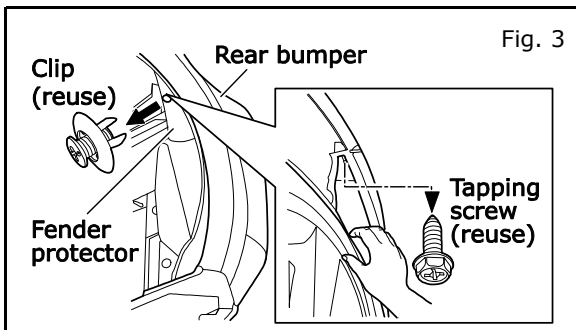
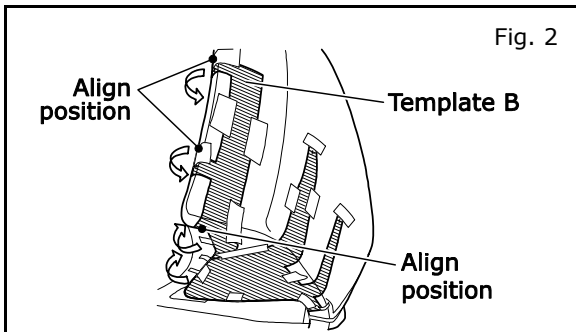
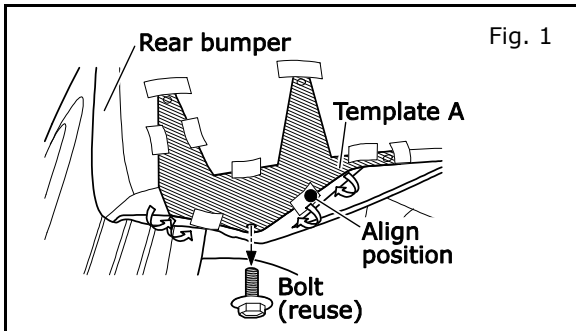
- Install the Rear Under Protector when the ambient temperature is above 60°F (15°C).
- Do not wash or expose the vehicle to a wet environment for 24 hours after installing the Rear Under Protector.

NOTE

- These instructions are for the left side of the vehicle; the same procedure applies to the right side.

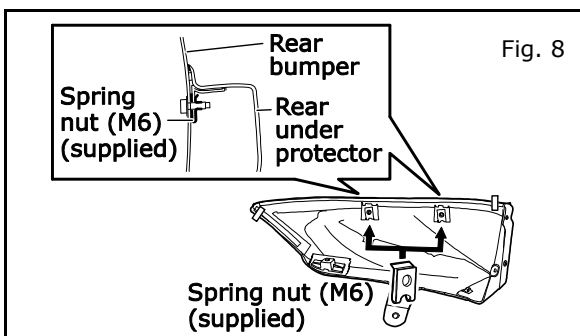
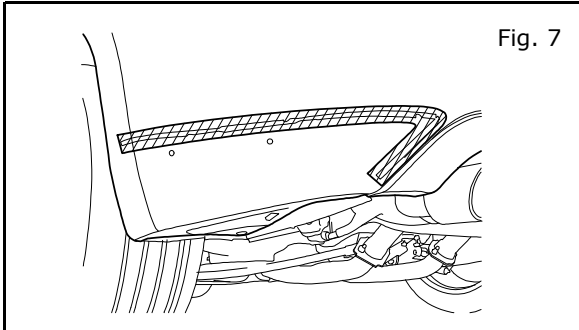
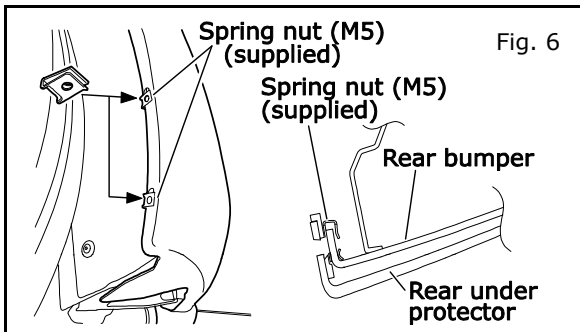
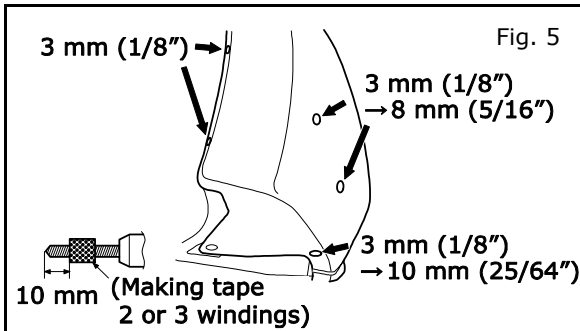
INSTALLATION INSTRUCTIONS - Rear Under Protector

7. INSTALLATION PROCEDURE:



1. Installation preparation
 - a) Remove bolt(reuse) from under side of rear bumper. (bolt 1 on each side) See Fig. 1.
 - b) Align template A to the rear bumper and apply masking tape to hold the template in place. See Fig. 1.
 - c) Align template B to the rear bumper and apply masking tape to hold the template in place. See Fig. 2.
 - d) Remove the clip(reuse) that attach the fender protector to the vehicle. (1 on each side) See Fig. 3.
 - e) Pull the fender protector out, from behind the rear bumper. See Fig. 3.
 - f) Remove the tapping screw(reuse) that attach the rear bumper to the fender. (1 on each side) See Fig. 3.
 - g) Pull outward on the rear bumper to detach the claws (Δ), in the fender and taillamp area, that attach the rear bumper to the vehicle. See Fig. 4.
 - h) Mark the hole position (+) with center punch. See Fig. 4.
 - i) Remove masking tape and templates A and B.

INSTALLATION INSTRUCTIONS - Rear Under Protector



- j) Wrap masking tape around 3 mm (1/8") and 8 mm (5/16") drill bits, approximately 10 mm from the tip.
- k) Drill 3 mm (1/8") holes at all marked locations on the rear bumper. See Fig 5.
- l) Drill 8 mm (5/16") holes at the marked locations on the rear bumper. See Fig 5.
- m) Drill 10 mm (25/64") holes at the marked location on the rear bumper. See Fig 5.
- n) Install M5 spring nuts over the 3 mm (1/8") holes in the rear bumper wheelhouse area. See Fig. 6.

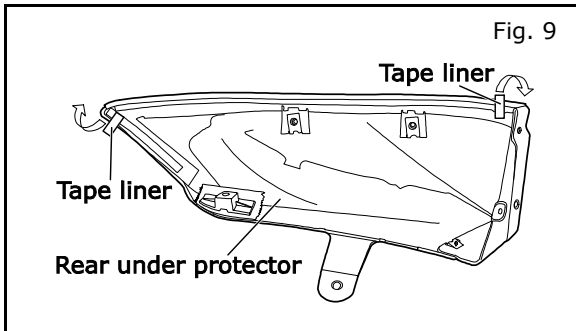
NOTE:
INSTALL M5 SPRING NUTS(SUPPLIED) WITH FLAT EDGE ON OUTSIDE OF THE REAR BUMPER.

- o) Using a clean, lint free cloth and 50/50 alcohol/water solution, wipe any dirt and oil from the mounting surface. Let area dry thoroughly. See Fig 7.

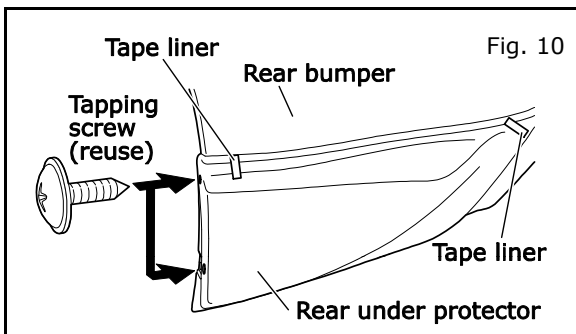
2. Rear under protector installation
 - a) Install M6 spring nuts over the holes in the rear under protector, close to the double-side tape area. See Fig. 8.

NOTE:
INSTALL M6 SPRING NUTS WITH FLAT EDGE FACING THE INSTALLER WHEN LOOKING AT THE REAR UNDER PROTECTOR FROM THE INSIDE.

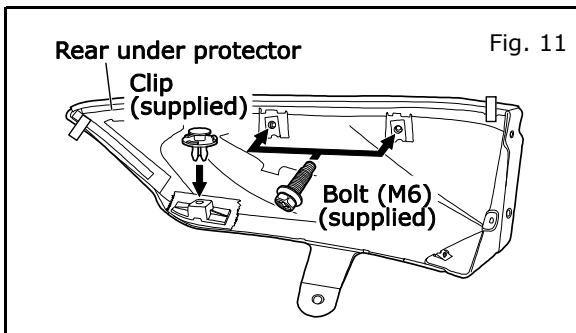
INSTALLATION INSTRUCTIONS - Rear Under Protector



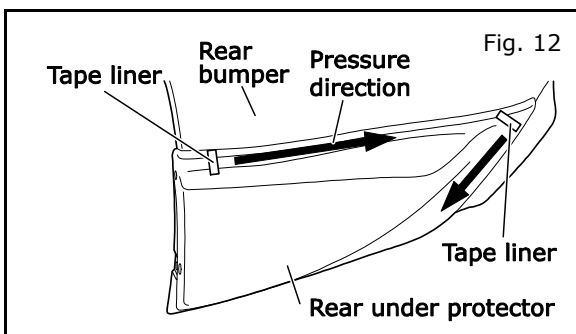
- b) Peel off about 30 mm of the tape liner from the double-sided tape on the rear under protector.
- c) Fold the tape liner onto the rear under protector painted surface and apply masking tape to ensure that the tape liner is accessible. See Fig. 9.



- d) Align the rear under protector to the rear bumper. See Fig. 10.
- e) Loosely install the tapping screws(reuse) in the rear wheelhouse area. (2 on each side) See Fig. 10.

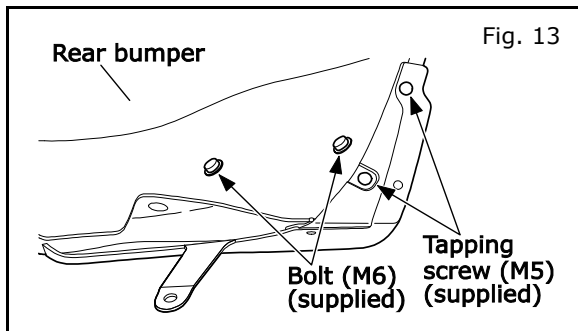


- f) Pull forward on the fender protector and reach to the inside of the rear bumper.
- g) Loosely install M6 bolts(supplied) on the inside of the rear bumper and rear under protector. (2 on each side) See Fig. 11.
- h) Pull forward on the fender protector and reach to the inside of the rear bumper.
- i) Install a clip(supplied) on the inside of the rear bumper and rear under protector. (1 on each side) See Fig. 11.

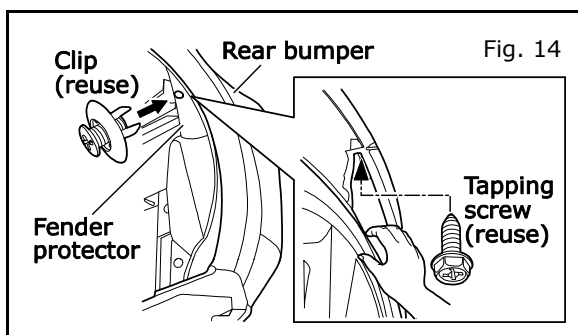


- j) Starting with the upper tape, remove the double-sided tape liners and apply at least 15 lbs. of pressure to the rear under protector to ensure that the rear under protector is attached. See Fig. 12.

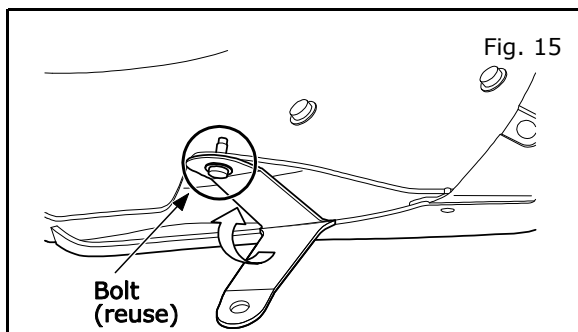
INSTALLATION INSTRUCTIONS - Rear Under Protector



- k) Pull forward on the fender protector and reach to the inside of the rear bumper.
- l) Tighten the M6 bolts(supplied) on the inside of the rear bumper and rear under protector. (2 on each side) See Fig. 13.
- m) Tighten the tapping screws(reuse) in the rear wheelhouse area. (2 on each side) See Fig. 13.



- n) Align and install the fender protector to the inside of the rear bumper. See Fig. 14.
- o) Install the tapping screws(reuse) that attach the rear bumper to the fender. (1 on each side) See Fig. 14.
- p) Install the clips(reuse) that attach the fender protector to the vehicle. (1 on each side) See Fig. 14.



- q) Align the rear under protector hinge, under the vehicle, to the rear bumper and install the bolts(reuse). (1 on each side) See Fig. 15.