



GENUINE PARTS

INSTALLATION INSTRUCTIONS - REAR SPOILER KIT

1. **DESCRIPTION:** REAR SPOILER KIT

2. **APPLICATION:** XGE (C53D)

3. **PART NUMBER:** K6010-1EA0A

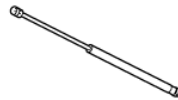
4. **KIT CONTENTS:**

Item	QTY	Description
A	1	Rear spoiler
B	9	Gas stay (RH, LH)
C	5	Pin (small)
D	2	Pin (large)
E	5	Grommet (small)
F	1	Grommet (large) (RH, LH)
G	2	Stud bolt
H	2	Nut(M5)
I	2	Bolt
J	1	Paper template
K	1	Installation/handling manual

A



B



C

D

E



F



G

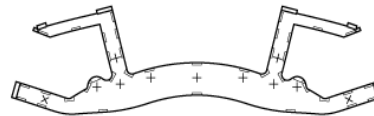
H



I



J



K



5. **TOOLS REQUIRED:**

- Drill
- Drill bit (3 mm, 7 mm, 10mm)
- Socket wrench (10 mm)
- Clip remover
- Center punch

- Phillips screwdriver ⊕
- Masking tape
- Cloth gummed tape
- File
- Cloth

- White gasoline
- Protective goggles
- Touchup paint
- Air blow gun
- Rust preventive spray

INSTALLATION INSTRUCTIONS - REAR SPOILER KIT

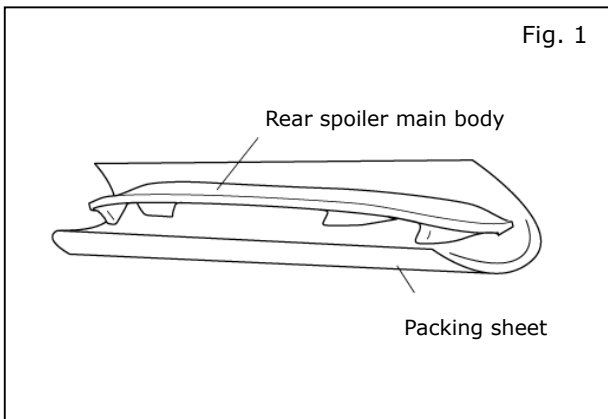
6. PRE-INSTALLATION CAUTIONS/NOTES:

- In this product, the way the initial installation is carried out will greatly affect the performance and durability of the product, and occurrences of malfunctions. Therefore, prior to the installation, please carefully read the installation cautions, etc. listed below so that the installation may be performed correctly.
- We are not obliged to compensate any troubles that may occur as a result of your failure to observe the described cautions or installation of the product on motor vehicles other than the specified one.

⚠ CAUTION

- When installing this product, be sure to park the car on a flat place and securely apply the parking brake. For assured safety, be sure to set the engine key to the OFF position.
- When drilling a hole, be sure to confirm that there is no harness or the like behind the working position.
- When drilling a hole, use a drill bit of the specified diameter. Hold the drill in such a way that the drill may be vertical to the drilling plane.
- Since the rear spoiler is a plastic product, utmost attention should be paid when carrying it.
- When installing the rear spoiler, be careful not to scratch the body.
- When installing the rear spoiler, never use a thread locker or the like.

7. INSTALLATION PROCEDURE:



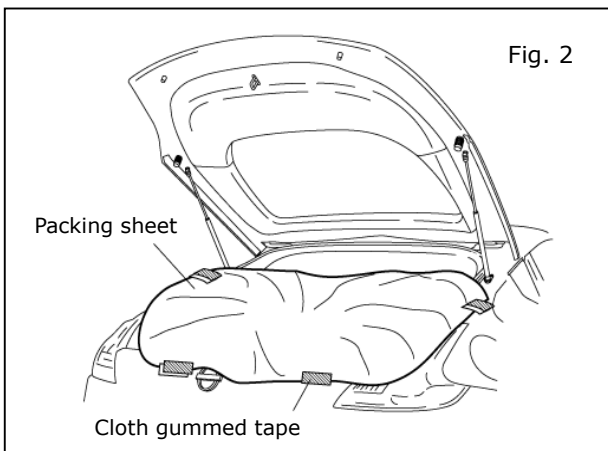
1) Taking out rear spoiler main body

- a) Unpack the product. Take out the rear spoiler main body from the rear spoiler packing sheet.

See Fig. 1.

⚠ CAUTION

- Do not tear the packing sheet, for it will be used to collect metal chips.
- Be very careful not to scratch the rear spoiler main body which has been taken out from the rear spoiler packing sheet.

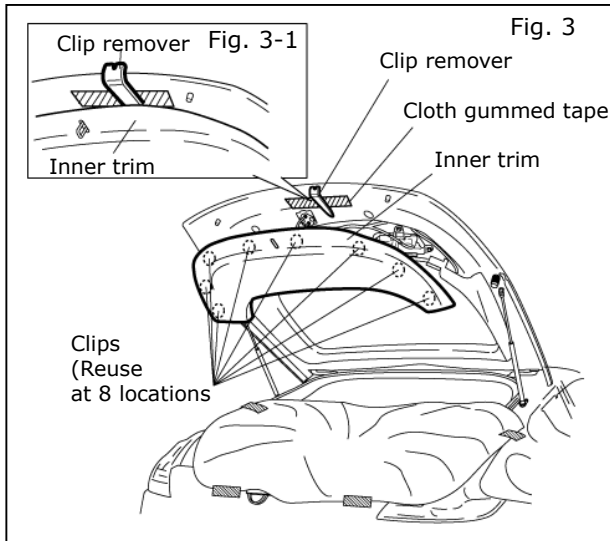


2) Measure to collect metal chips

- a) Cover the luggage compartment with the rear spoiler packing sheet by affixing cloth gummed tape. In this way, the luggage compartment should be protected.

See Fig. 2.

INSTALLATION INSTRUCTIONS - REAR SPOILER KIT



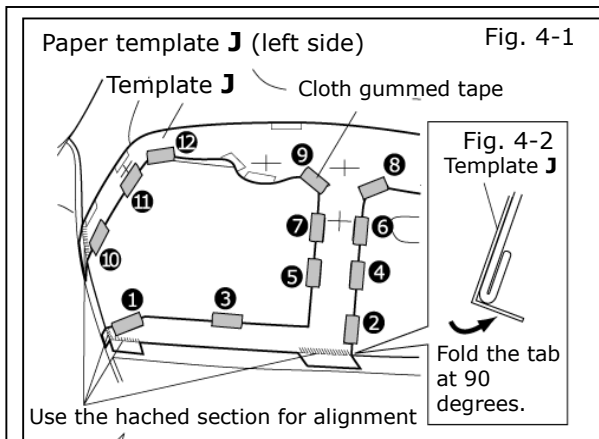
3) Removal of luggage compartment inner trim

a) Affix cloth gummed tape to the clip remover inserting position to protect it.

See Fig. 3, Fig. 3-1.

b) Insert the clip remover into the gap of the luggage compartment inner trim and lift the luggage compartment inner trim to remove it. (Clips: 8 locations)

See Fig. 3, Fig. 3-1.



4) Affixing paper template

a) Fold the tab of the paper template inward.

See Fig. 4-2.

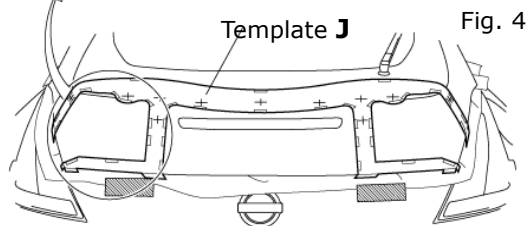
b) Align the paper template with the back door end, referring to the illustration on the left. Affix the masking tape in the sequence of (1) through (9) and (10) through (12) to fix the paper template.

See Fig.4, Fig.4-1.

c) Fix the right side of the paper template, following the procedures a) and b).

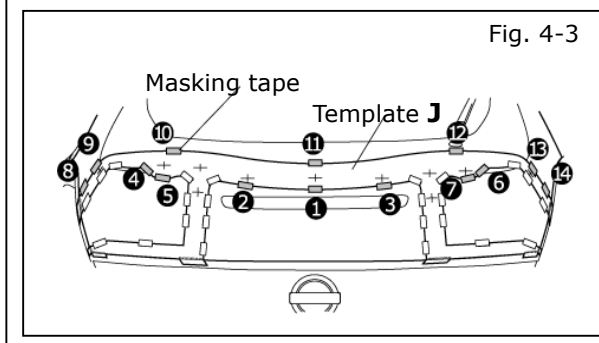
d) Make sure that the pattern papers fixed in a) through c) are in place. Referring to Fig. 4-3, fix the masking tape to the paper template at (1) through (14).

See Fig.4, Fig.4-1.

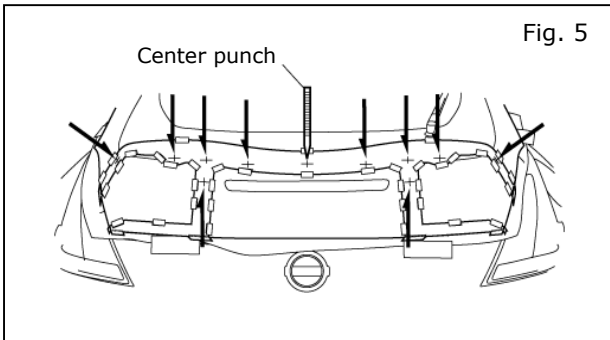


⚠ CAUTION

- When fixing the paper template, care must be exercised so that it is not out of place or it is not bent.

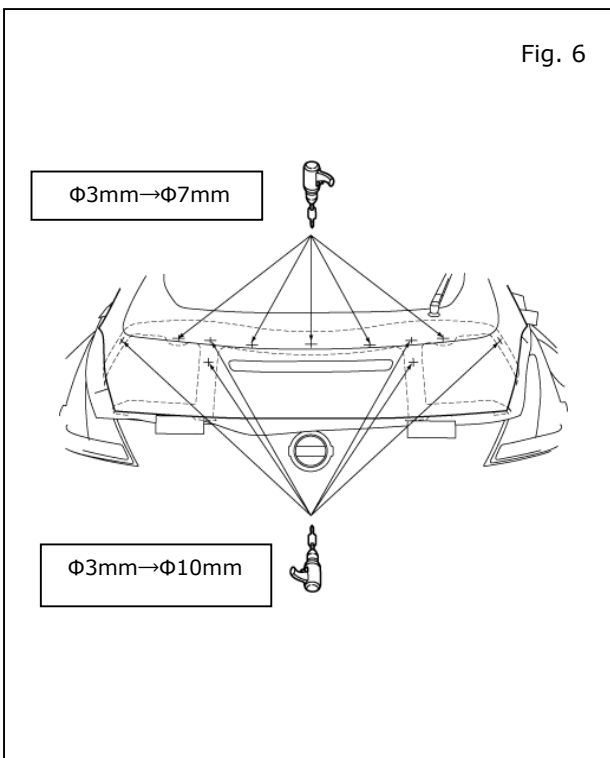


INSTALLATION INSTRUCTIONS - REAR SPOILER KIT



5) Marking by using pattern paper

- Make a mark on the center of the + slit, using a punch.
- Remove the pattern paper.
See Fig. 5.



6) Drilling installation holes

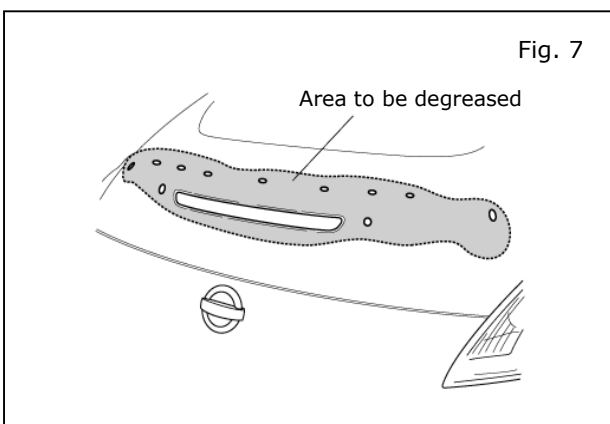
- Drilling preliminary holes of 3mm diameter on the punched marks (11 points).
See Fig. 6.
- Drill holes having the designated size as shown in the illustration on the left.
See Fig. 6.
- Finish the drilled holes by removing burrs with a file. Apply the touchup paint.

CAUTION

- Wrap cloth gummed tape around the drill bit 10 mm from the forward end of the drill to limit the drill length.



- When removing burrs, be sure to check the hole diameter.
- Be sure to wear protective goggles during the operation.



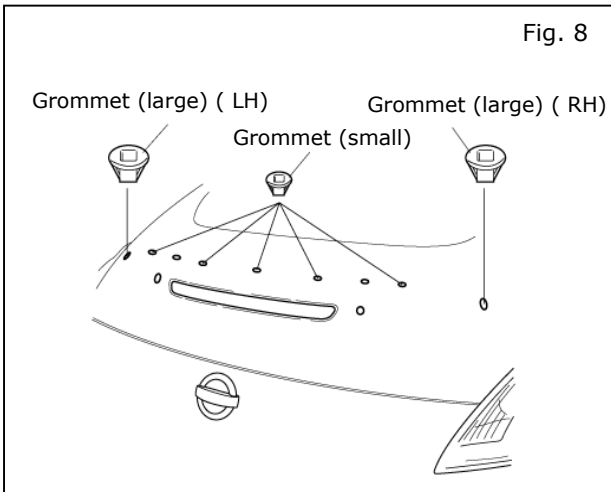
7) Degreasing the installation section

- With white gasoline, degrease the area of the back door, where the rear spoiler is to be installed.

See Fig. 7.

INSTALLATION INSTRUCTIONS - REAR SPOILER KIT

Fig. 8



8) Installation of grommet

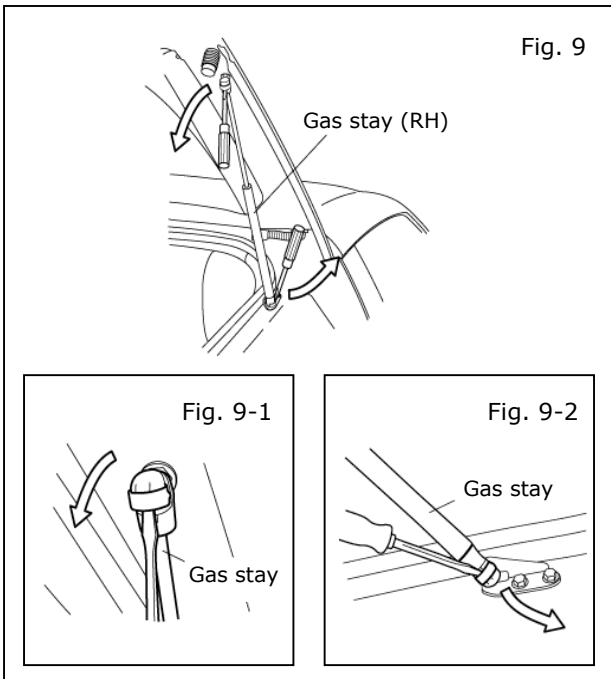
- Insert the grommets to the drilled holes, referring to the illustration on the left.

See Fig. 8.

⚠ CAUTION

- Make sure that the large grommets are correctly installed on the right and left sides.

Fig. 9



9) Replacement of gas spring

- Using a flat screwdriver, remove the vehicle gas stay, referring to the illustration on the left.

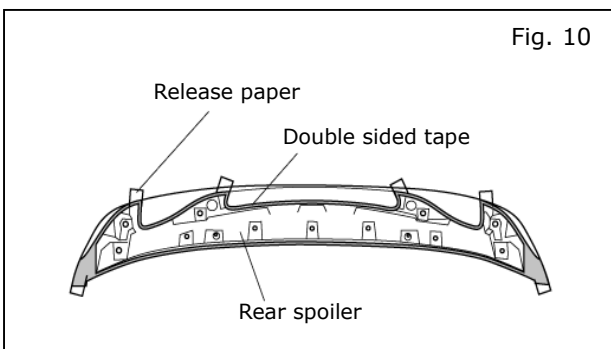
See Fig. 9., Fig9-1., Fig.9-2.

- Install the gas stay.

⚠ CAUTION

- Make sure that the gas stay are correctly installed on the right and left sides.

Fig. 10



10) Peeling off the release paper of double-sided tape

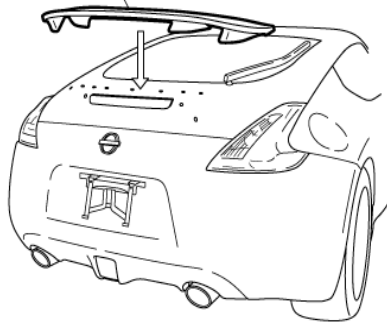
- As a preparation step for the installation, peel off all the release papers of the double-sided tapes on the back side of the rear spoiler.

See Fig. 10.

INSTALLATION INSTRUCTIONS - REAR SPOILER KIT

Rear spoiler

Fig.11



11) Temporarily fixing rear spoiler

- a) Insert the clip and bolt on the back side of the roof spoiler into the vehicle installation hole which was made in the step 6). Insert until the clip emits a clicking sound.

See Fig. 11.

- b) From the back side of the back door, insert the nut diagonally into the hole to temporarily fix it.

See Fig. 11.

- c) Insert the bolt into the hole from the bottom to temporarily fix it.

See Fig. 11.

Fig. 11-1

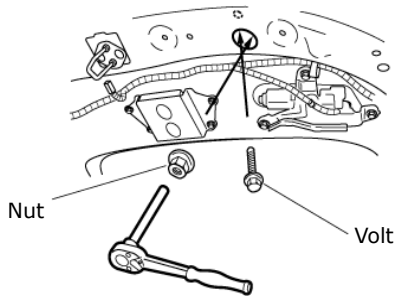
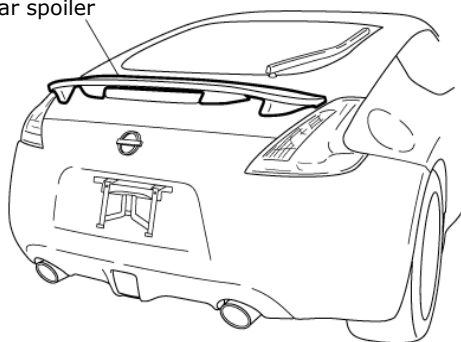


Fig. 12

Rear spoiler



12) Completely securing rear spoiler

- a) Adjust the position of the rear spoiler.
See Fig. 12.
- b) Press-fit the spoiler.

⚠ CAUTION

- Be sure to securely press the double sided tape. Lack of the pressure may cause removal of the rear spoiler.

- c) Fix the position that has been temporarily fixed in step 11).

13) Restoration of vehicle parts

- a) Restore the luggage compartment inner trim that was removed in step 3).
- b) Remove the cloth gummed tape and packing sheet that have been affixed in step 3).