



SERVICE BULLETIN

Classification: BT10-004	Reference: NTB10-014	Date: January 26, 2010
-----------------------------	-------------------------	---------------------------

2009 370Z COUPE; REAR HATCH WILL NOT OPEN ON FIRST PUSH OF RELEASE BUTTON

APPLIED VEHICLE: 2009 370Z Coupe (Z34)
APPLIED DATE: Vehicles built before October 6, 2009

IF YOU CONFIRM

The back door (rear hatch) of an Applied Vehicle does not completely open:

- with only one push of the release button (just above the license plate),
- AND
- The rear hatch opener actuator (lock) is working.

ACTIONS

Replace the rear hatch lifting springs with the new ones listed in the Parts Information section.

PARTS INFORMATION

DESCRIPTION	PART #	QUANTITY
Spring-lift	84415-1EA1E	2

IMPORTANT: The purpose of "ACTIONS" (above) is to give you a quick idea of the work you will be performing. You **MUST** closely follow the entire Service Procedure as it contains information that is essential to successfully completing this repair.

Nissan Bulletins are intended for use by qualified technicians, not 'do-it-yourselfers'. Qualified technicians are properly trained individuals who have the equipment, tools, safety instruction, and know-how to do a job properly and safely. NOTE: If you believe that a described condition may apply to a particular vehicle, DO NOT assume that it does. See your Nissan dealer to determine if this applies to your vehicle.

CLAIMS INFORMATION

Submit a Primary Part (PP) type line claim using the following claims coding:

DESCRIPTION	PFP	OP CODE	SYM	DIA	FRT
RPL ALL T'LID/T'GATE STAYS/TORSION BARS	84415-1EA1E	UM14AA	FC	32	(1)

(1) Reference the current Nissan Warranty Flat Rate Manual and use the indicated flat rate time.

SERVICE PROCEDURE

1. Confirm the rear hatch opener actuator (lock) is operating.
 - a. Put your ear near the center of the rear hatch.
 - b. Press the rear hatch release button (just above the license plate).
 - If you do not hear a “clicking” sound, this bulletin does not apply. Go to ASIST for further diagnostic and repair information.
 - If you do hear a “clicking” sound, go to step 2.

Replace the rear hatch lifting springs

2. Open the rear hatch.

NOTE: You may have to pull up on the hatch while pressing the release button.

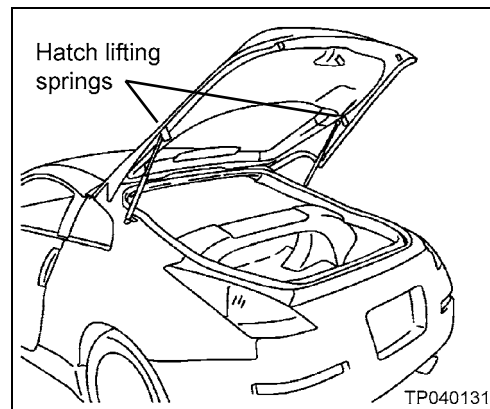


Figure 1

3. Replace the rear hatch lifting springs.
 - Use the new springs listed in the Parts Information section.
 - Remove by turning the springs $\frac{1}{2}$ turn in either direction.
 - Install in reverse order.

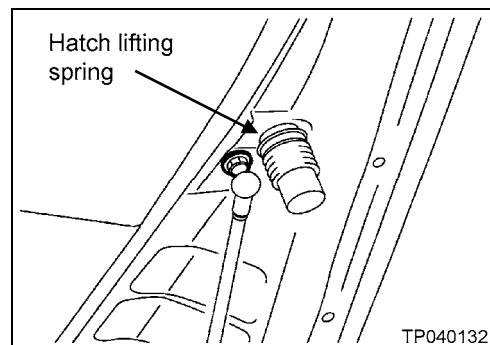


Figure 2